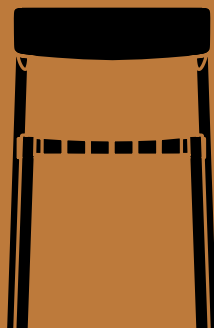
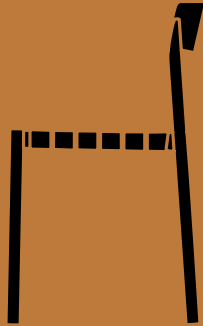


Betty <sup>TK1</sup>  
by Thau & Kallio  
2019





TK1

# Recycling & Disassembly

Betty<sup>TK1</sup>

## RECYLING

The Betty chair is built to last, and we hope that your Betty will serve you for many years. The chair is made from solid wood and wood veneer, and can be easily separated from its base. All metal and wooden parts can be separated and delivered to a suitable recycling station.

## SPARE PARTS

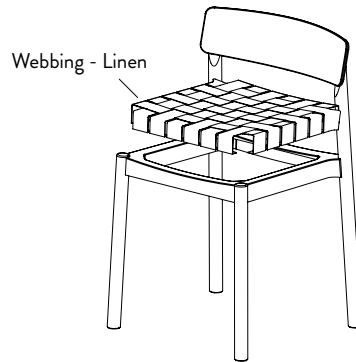
To purchase spare parts for your Betty chair, please write to our sales support team at [info@andtradition.com](mailto:info@andtradition.com) with your query.

## 5 YEAR WARRANTY

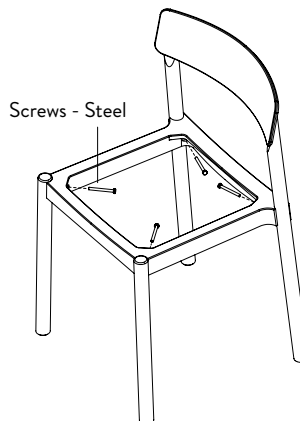
&Tradition provides a 5-year warranty with every Betty chair, which covers faults which were present at the time of purchase, or which have occurred as a result of a manufacturing defect. The warranty is valid from the date stated on the original invoice.

## DISASSEMBLY

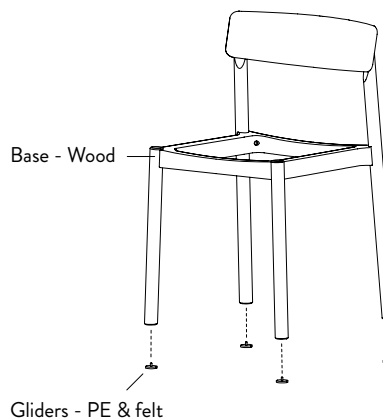
1. To disassemble the Betty chair first remove the webbing from the seat.

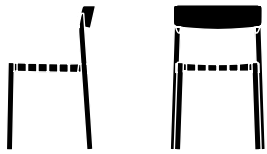


2. Unscrew the bolts located inside the frame of the seat. This can be done with a socket wrench.



3. Remove the gliders.





H: 77cm/30.3in

D: 48cm/18.9in  
Seating D: 42cm/16.5in.

W: 51cm/20.1in  
Seat H: 47cm/18.5in

# Betty<sup>TK1</sup> by Thau & Kallio 2019

**Product category**  
Stackable chair

**Environment**  
Indoor

**Material**  
Lacquered solid wood and formpressed veneer with linnen webbing.  
This product has not been treated with any biocides.

**Production process**  
The Betty dining chair is made from solid wood and formpressed veneer with a linnen webbing seat.

**Gliders**  
Felt gliders installed as standard.

**Stacking quantity**  
8 pcs

**Dimensions**  
H: 77cm/30.3in, W: 51cm/20.1in, D: 48cm/18.9in,  
Seating D: 42cm/16.5in, Seat H: 47cm/18.5in.

**Packaging dimensions**  
H: 86cm/33.9in, W: 53.2cm/20.9in,  
D: 51.7cm/20.4in.

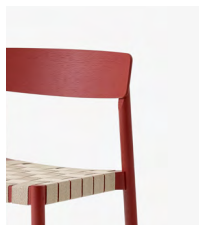
**Colli quantity**  
2 pcs

**Weight**  
Product: 4 kg  
Incl. packaging: 17,5 kg

**Strength, durability and safety testing**  
The chair is tested for strength, durability and safety according to EN 16139 level 2 - Extreme use.

**Cleaning instructions**  
Please download our Material Care & Cleaning instructions through [www.andtradition.com](http://www.andtradition.com)

→ **Stock items**  
Maroon (RAL 3009)  
Black (RAL 9005)  
Oak



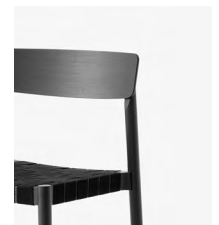
→ Maroon  
Lacquered ash w.  
Natural webbing



→ Black  
Lacquered ash w.  
Natural webbing



→ Oak  
Lacquered oak w.  
Natural webbing



→ Black  
Lacquered ash w.  
Black webbing